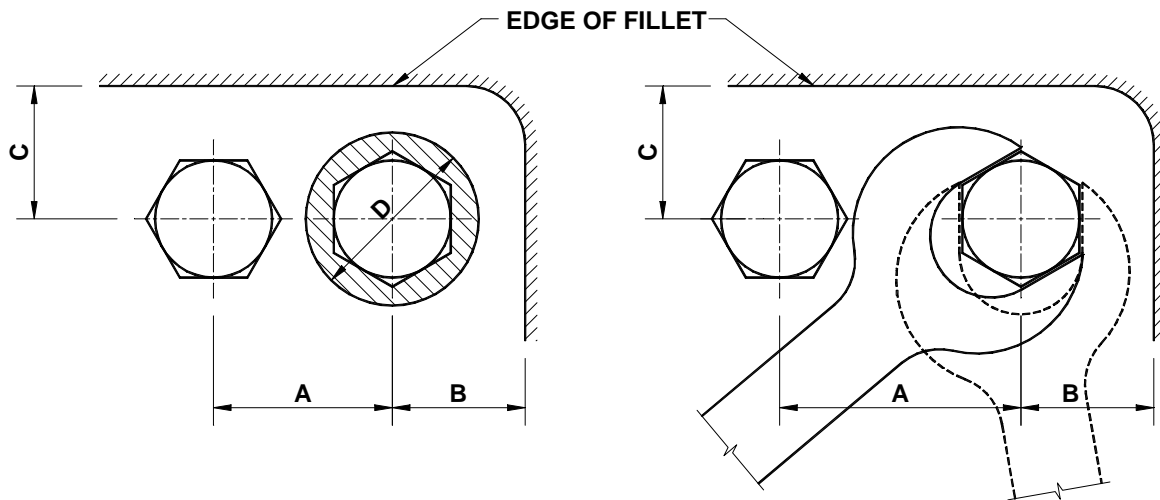




SOCKET WRENCH AND OPEN WRENCH BOLT CLEARANCE DISTANCES



BOLT SIZE	SOCKET WRENCH				OPEN END WRENCH		
	A	B	C	D	A	B	C
M6	20	12	12	20	25	22	16
M10	28	20	20	28	36	28	20
M12	36	22	22	36	45	36	22
M16	41	25	25	41	55	38	28
M20	47	28	28	47	67	41	31
M22	55	31	31	55	75	47	41
M24	60	36	36	60	82	55	47
M28	67	38	38	67	86	57	47
M32	72	41	41	72	98	63	51
M36	79	45	45	79	112	70	57
M40	86	48	48	86	123	72	63